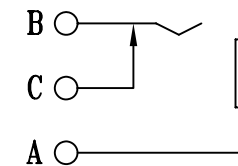
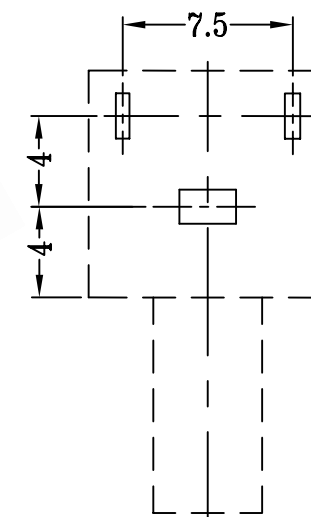
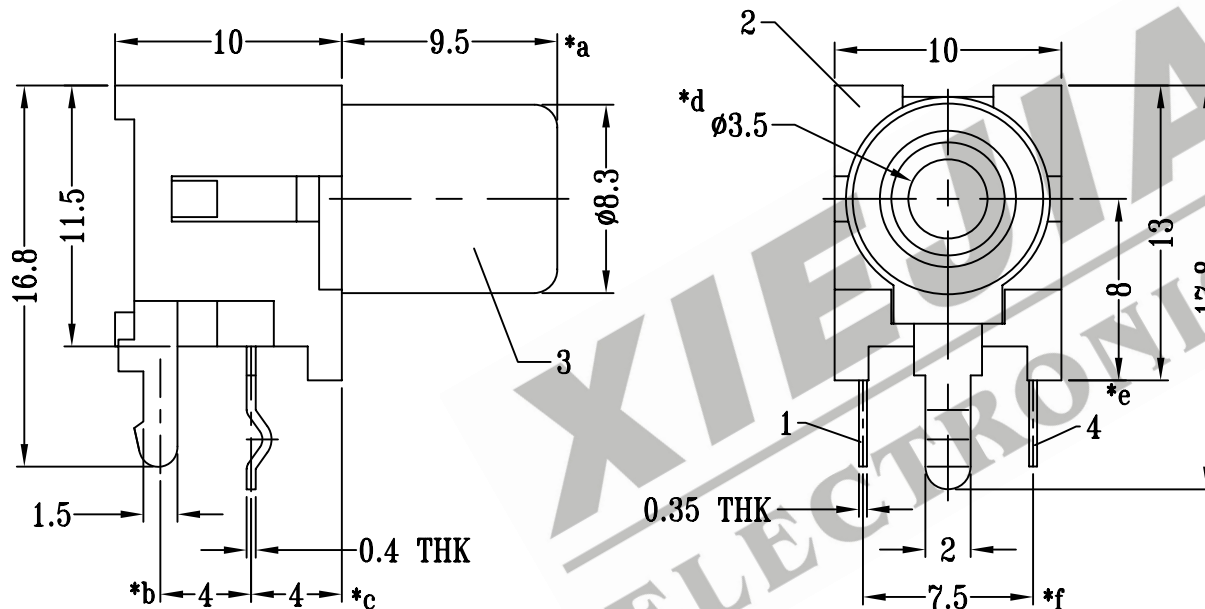


CAD FILE :



**SCHMATIC**



**P.C.B LAYOUT**

注:带"\*"表示关键尺寸(6个)

8					TOLERANCE UNLESS SPECIFIED	SHENZHEN XIEJIA ELECTRONICS CO.,LTD.						
7												
6					WITHIN: 1.5±0.1mm	ISSUE	DATE	DESCRIPTIONS		APPD		
5					OVER : 1.5±0.2mm							
4	TERMINAL	BRASS STRIP	1	Ag PLATED OVER Ni PLATED	TITLE : RCA JACK			UNIT : M M		DRWG NO : XJ-DR-RC145-00		
3	SLEEVE	BRASS STRIP	1	Ag PLATED OVER Ni PLATED								
2	CASE	ABS	1	YELLOW/RED/WHITE	MODEL : RC-145			SCALE : 3:1		DWN.	ZHOUYU	2003-8-17
1	SPRING TERMINAL	PBS STRIP	1	Ag PLATED OVER Ni PLATED						CHK'D	FANGYING	2003-8-17
NO.	PART NAME	MATERIAL	QTY.	FINISHING	ALL MATERIALS MUST BE COMPLIANT TO ROHS			APPD.	KANGXINAN	2003-8-17		